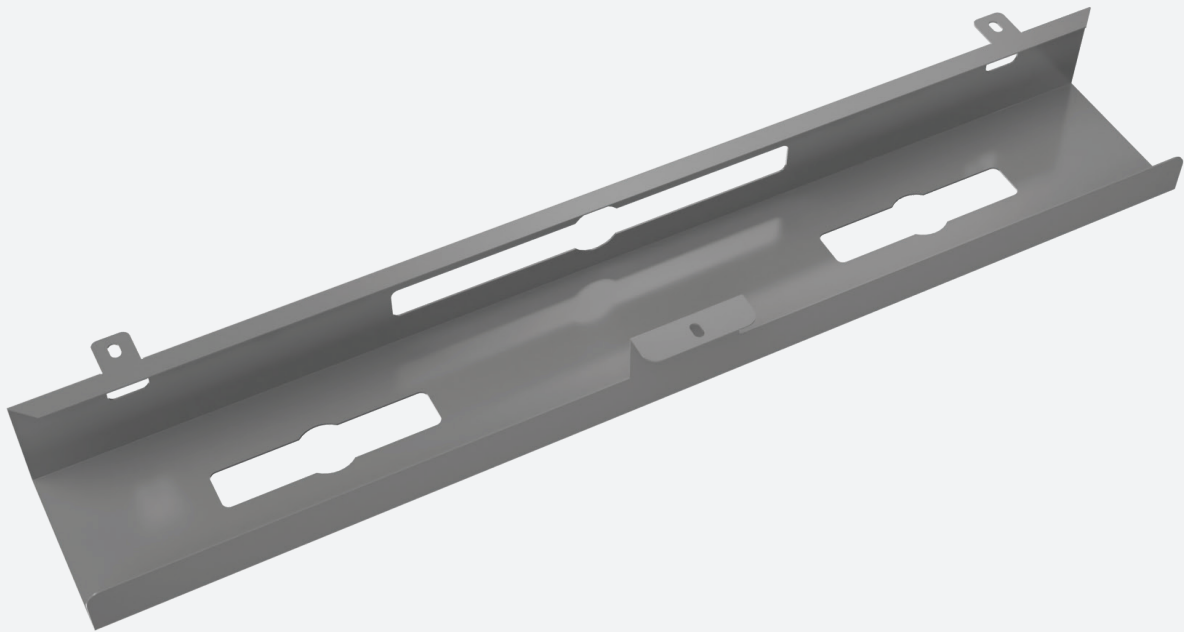


Trough

Cable Management



LONE STAR ERGO

877-746-2055 | LoneStarErgo.com

Trough

Cable Management

FEATURES

- Cable Trough constructed of steel to manage all of your wires and cables for your workspace.
- Front and rear access allows for ease of use for adding or removing wires and cables.
- Dimensions: 31.5"W x 5"D x 3"H
- Easy installation with only three screws.
- Available Colors:
 - Silver (SLV)
 - White (WHT)
 - Black (BLK)
- Warranty: 15 years.



PRODUCT CODE:

LSE-CMT-_*_*_*

LIST PRICE: \$175.00

LONE STAR ERGO

877-746-2055 | LoneStarErgo.com